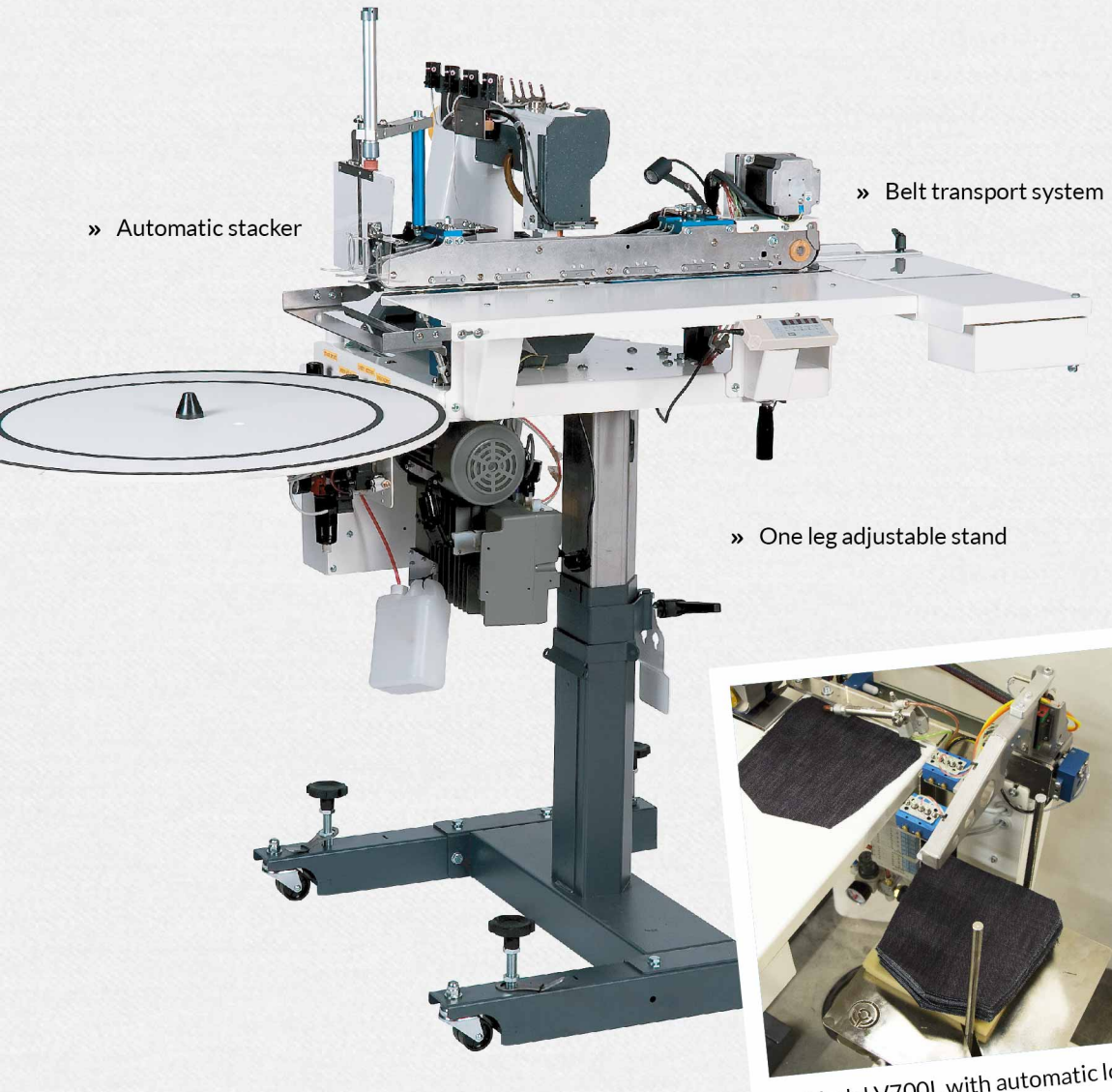


# V700



## AUTOMATIC POCKET HEMMING UNIT 2CS



» Automatic stacker

» Belt transport system

» One leg adjustable stand



» Model V700L with automatic loader

The automatic pocket hemming V700 is a double needle chain stitch hemming unit, that can be modified to perform single needle lock stitch seam. **The speed reaches 3600 rpm (chain stitch)**, allowing to hem **1800/2000 pockets per hour (average)**. More flexibility, the innovative transport system allows to hem ANY kind of fabric thickness, from surf shorts, to shirt fabric and any kind of denim fabric (even stretch); plus any kind of pocket dimension, from coin pocket to big size work-wear pockets.

## TECNICAL FEATURES:

There will be **no more wave effect or arching of the pocket hem problems** thanks to the innovative pneumatic transport system (**patented**), which sees a belt that settles itself in base of the fabric thickness and shape, plus an adjustable folder to satisfy every fashion need. **The length of the chains at the beginning and at the end of the pocket can be adjusted easily by means of a control panel.** The new mechanical system allows to remove the transport system making all the maintenance operations quick and easy. At the end of the transport belt, an un-loader automatically stacks the pockets in order on the storage disk.

## SPECIFICATIONS:

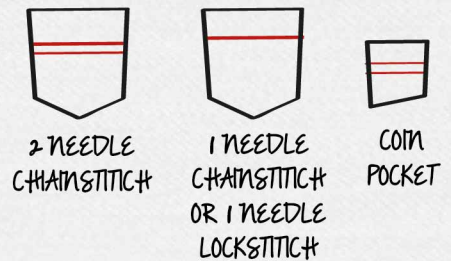
- \* **Sewing Head:** Vi.Be.Mac. 2 needle chain stitch
- \* **Sewing Speed:** 3600 rpm
- \* **Stitch Length:** from 0,9 to 5 mm
- \* **Standard Needle Gauges:** 1/4" (6,4 mm)
- \* **Optional Needle Gauges:** 3/16" (4,8 mm) - 9/32" (7,2 mm) - 3/8" (9,6 mm) - 1/2" (12,7 mm, 3 needles)
- \* **Productivity:** 1800/2000 pockets x hour (average)
- \* **Power Supply Voltage:** 220 V 50/60 Hz
- \* **Sewing Machine Motor:** Mitsubishi XCG 554 220Y - 550W
- \* **Control Box:** XCG MFY 2005
- \* **Air consumption:** 3 L/min (without loader)

## EQUIPPED WITH:

- » Air Compressed Economizer - opens and closes **ONLY** when chain cutter is activated

### - LOWER CONSUMPTIONS

- » Pneumatic traction control on the feeding belt - **PATENTED**
- » Rotating store disk (up to 600 pockets)
- » Stacker
- » Thread breakage sensor
- » Automatic thread trimmer
- » Adjustable folder
- » One leg adjustable stand
- » Quick & easy change of the folder
- » **Model V700L is equipped with automatic loader**



## OPTIONS:

- » Second store disk, the V700 can keep on working as the disk full of pockets can be replaced in 5 seconds with an empty one
- » Manual label insertion device
- » **Conversion kit for 1 needle lockstitch**

